

D Montageanweisung
 DK Installationsinstruktus
 ES Instrucciones de montaje
 F Instructions d'installation
 I Istruzioni di montaggio
 N Installationsinstruktioner
 NL Installatievoorschrift
 S Installation instruktioener
 FI Asennusohje

SSW2 Auxiliary Switch Kit for N05xx, N10xx Non-Spring Return Direct-Coupled Damper Actuators

INSTALLATION INSTRUCTIONS

0 110/230 Vac, 5 (3) A

1

2

3

4

5

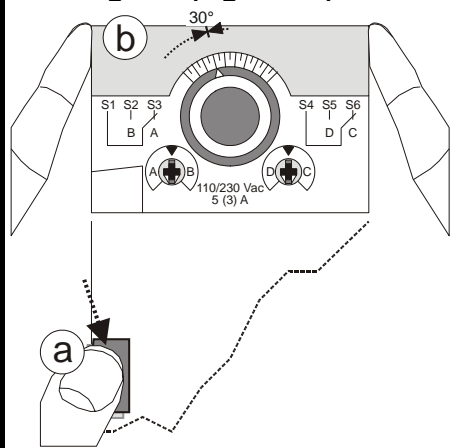
6 "Click!"

7 AS1 AS2 8-14

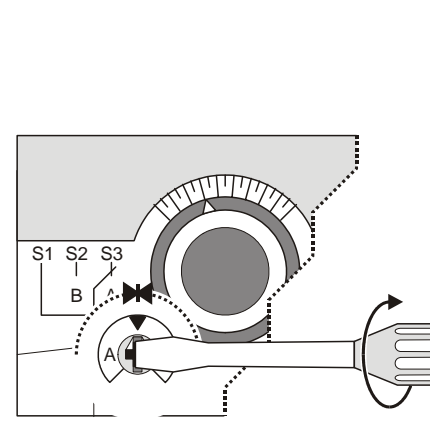
8 AS1 AS2

S1 S2 S3 S4 S5 S6
 B A D C
 A B C D
 110/230 Vac 5 (3) A

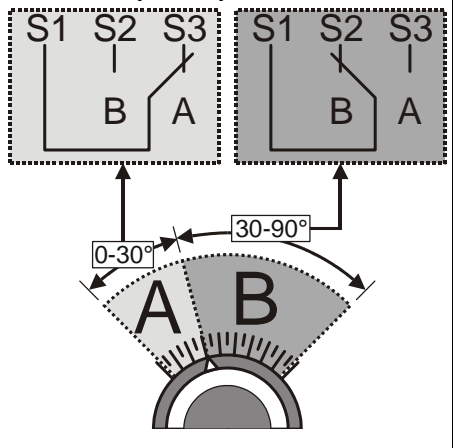
9 Setting AS1 (e.g. to 30°)



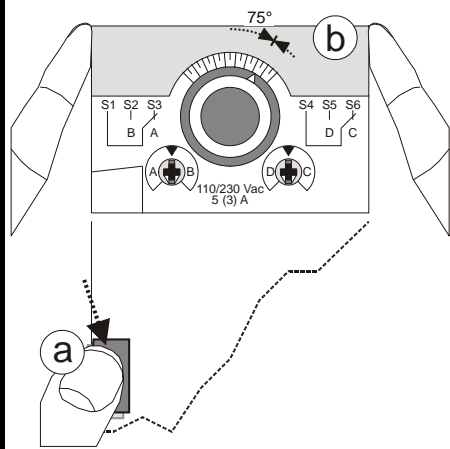
10



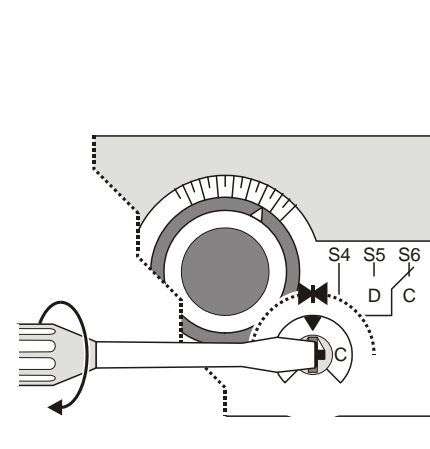
11 Result (9 + 10)



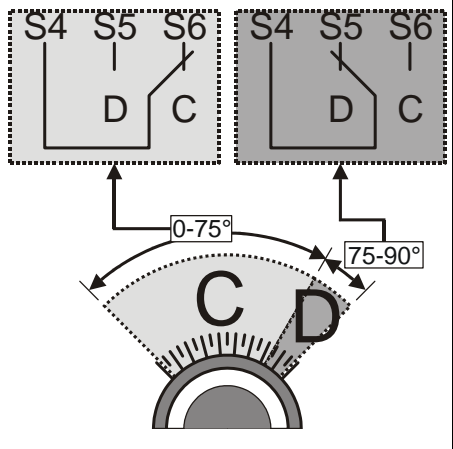
12 Setting AS2 (e.g. to 75°)



13



14 Result (12 + 13)



IP40

E	result	setting	e.g. to
D	Ergebnis	Einstellen	Z.B.auf
DK	resultat	justering	f. eks
ES	resultado	ajuste	e.g. en
F	résultat	ajustment	p.a. au
I	risultato	aggiustaggio	p.e. in
N	resultat	justering	f. eks
NL	resultat	instellen	b.v.
S	resultat	inställning	ex.
FI	tulos	asetta	esim

Manufactured for and on behalf of the Environmental and Combustion Controls Division of Honeywell Technologies Sarl, Ecublens, Route du Bois 37, Switzerland by its Authorized Representative:

Automation and Control Solutions
 Honeywell GmbH
 Böblinger Straße 17
 D-71101 Schönaich
 Phone: (49) 7031 63701
 Fax: (49) 7031 637493
<http://europe.hbc.honeywell.com>

Subject to change without notice. Printed in Germany
 MU1B-0284GE51 R0206B

**DIN EN ISO
 9001/14001**